

CR-509 4xGbE SFP adapter with switching functions

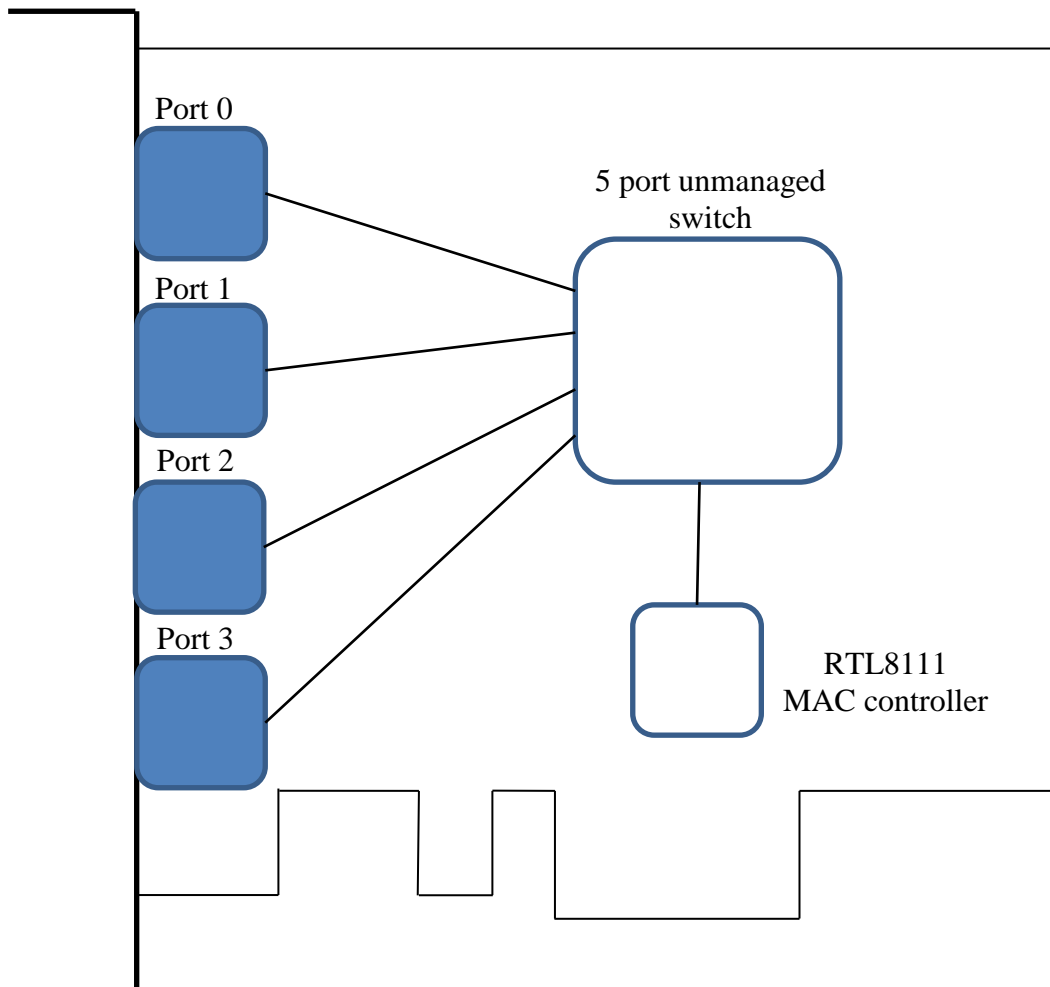


Adapter CR-509 designed as the combined device. Depending on configuration, it realizes one of three functions – multiport SFP GbE adapter, embedded switch in PC form factor or network tap.

Main features

- PC card form factor, PCI-express bus
- 4 SFP ports on the front and one system port GbE
- 100base-FX and 1000base-X modes
- Configuration by jumpers
- Microsoft NDIS5 checksum offload (IP,TCP,UDP)
- IEEE 802.1Q VLAN
- Spanning Tree IEEE 802.1w, IEEE802.1s
- Compatible with XP/Win7/Win8/Win10/Linux/FreeBSD/DOS

Internal structure



Delivery set

- Adapter CR-509
- CD with user manual
- Warranty certificate
- Shipping box 26x17x3 cm

Warranty obligations

Repair or replacement of the device free of charge within 2 years from the purchase

Supplier

Parabel, ltd

www.parabel-labs.com, tel./fax +7 383 213 87 07 Email: sales[AT]parabel.ru