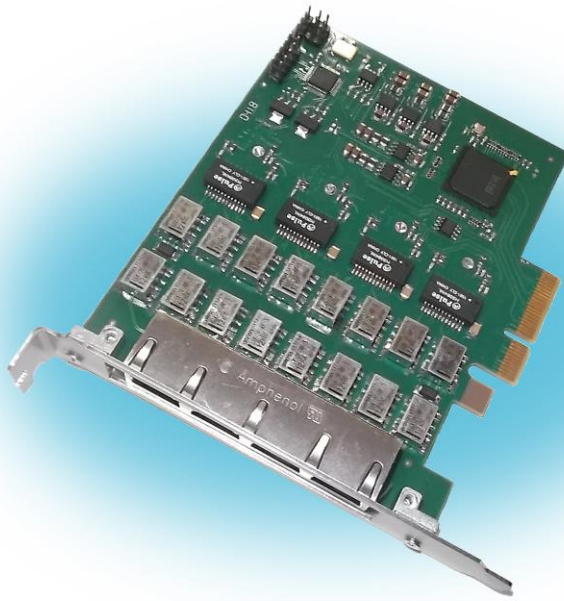


CR-701 100/1000 copper ethernet tap

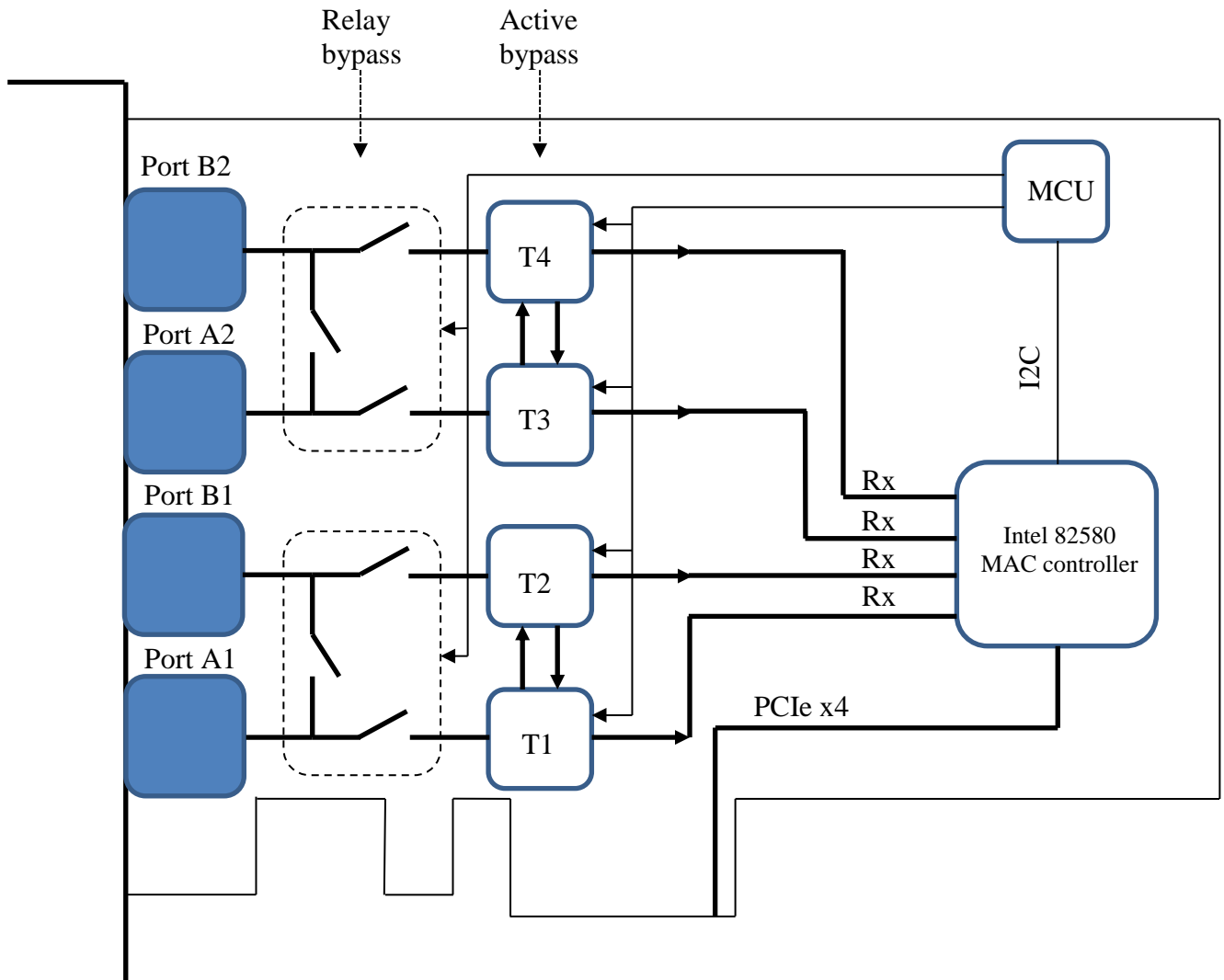


CR-701 is an adapter card in PCI-express format, designed for monitoring Ethernet networks 100 and 1000 base-T (twisted pair). The device provides interception of traffic from two external Ethernet lines, with the output of traffic to the PCI-Express bus of the hosting server.

Main Features

- **Form Factor - PC card PCI-express x4**
- **4 external ports 100/1000 Base-T**
- **Relay bypass upon power failure**
- **The length of the line in total (port A + port B) is 100 m when the relay bypass is operating, 100 m+100 m when the active bypass**
- **Transparency for jumbo packets up to 9.5 Kbytes, packets with bad CRC, truncated packets**
- **Zero packet delay**
- **Software support in Linux - a modified driver for Intel 82580**
- **Configuration - hardware jumpers, software jumpers, sysfs**

Internal structure of the adapter



Contents of delivery

- Adapter CR-701
- CD with user's manual
- Warranty card
- Packing box

Warranty

Free repair or replacement of the product within 2 years from the date of purchase.

Supplier

Parabel, ltd

www.parabel-labs.com, tel./fax +7 383 213 87 07 Email: sales[AT]parabel.ru